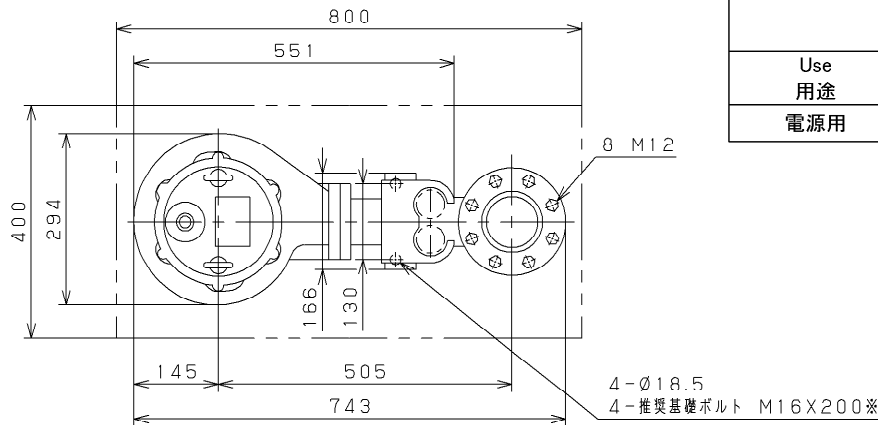
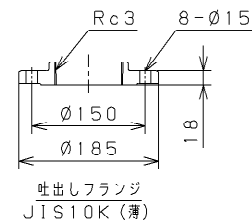
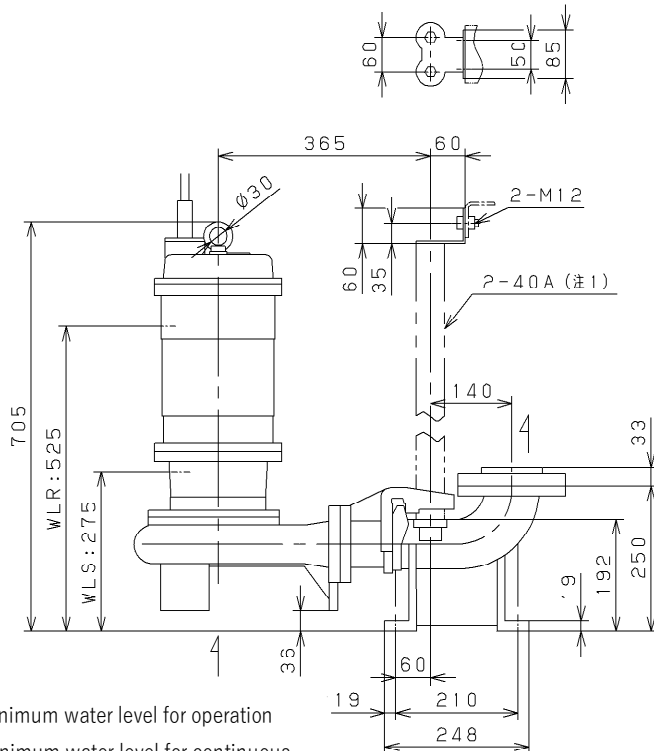


Installation Drawing KAWAMOTO Model : ZU ZU4形 汚物水中ポンプ 据付図

| | | | | | | |
|---------------------|-------------------------|-----------------------------|------------------------------|----------------|---|------------|
| Serial NO. 機器番号 | | Use 用途 | | Quantity 数量 | | |
| Model 形式 | ZU4-805-5.5T4 | 非自動型 着脱タイプ | | | | |
| VC | | Contents VC内容 | | | | |
| Specification 仕様 | | | Motor Specification 電動機仕様 | | Note / Notices 備考 / 特記事項 ハンロックタイプ ケーブル 10m | |
| Capacity 吐出量 | m ³ /min | Suction Bore 吸込口径 | — mm | Output 出力 | | 5.5 kW |
| Total Head 全揚程 | m | Discharge Bore 吐出口径 | 80 mm | Poles 極数 | | 2 |
| Source 電源 | Phase/Voltage 相 / 電圧 | Unit Bore ユニット口径 | — mm | Type 種別 | | Dry sealed |
| | Frequency 周波数 | Synchronous Speed 同期回転速度 | 3000 min ⁻¹ | | | |



| Cable spec ケーブル仕様 | | | | |
|----------------------|------------------------------------|-----------------|---------------------|-----------------|
| Use 用途 | Core size サイズ(mm ²) | Core qty 芯線数 | Outer dia 外径(mm) | Length 長さ(m) |
| 電源用 | 3.5 | 4 | 14 | 10 |



WLS: Minimum water level for operation
WLR: Minimum water level for continuous

*Foundation bolts are special accessories. Please purchase separately
Note1) Guide pipes are not included, Please prepare separately.

質量はケーブル除く 単位: mm

| | | | |
|--------------------|-------|-------------------|-------|
| Pump Mass ポンプ質量 | 74 kg | Total Mass 総質量 | 93 kg |
|--------------------|-------|-------------------|-------|

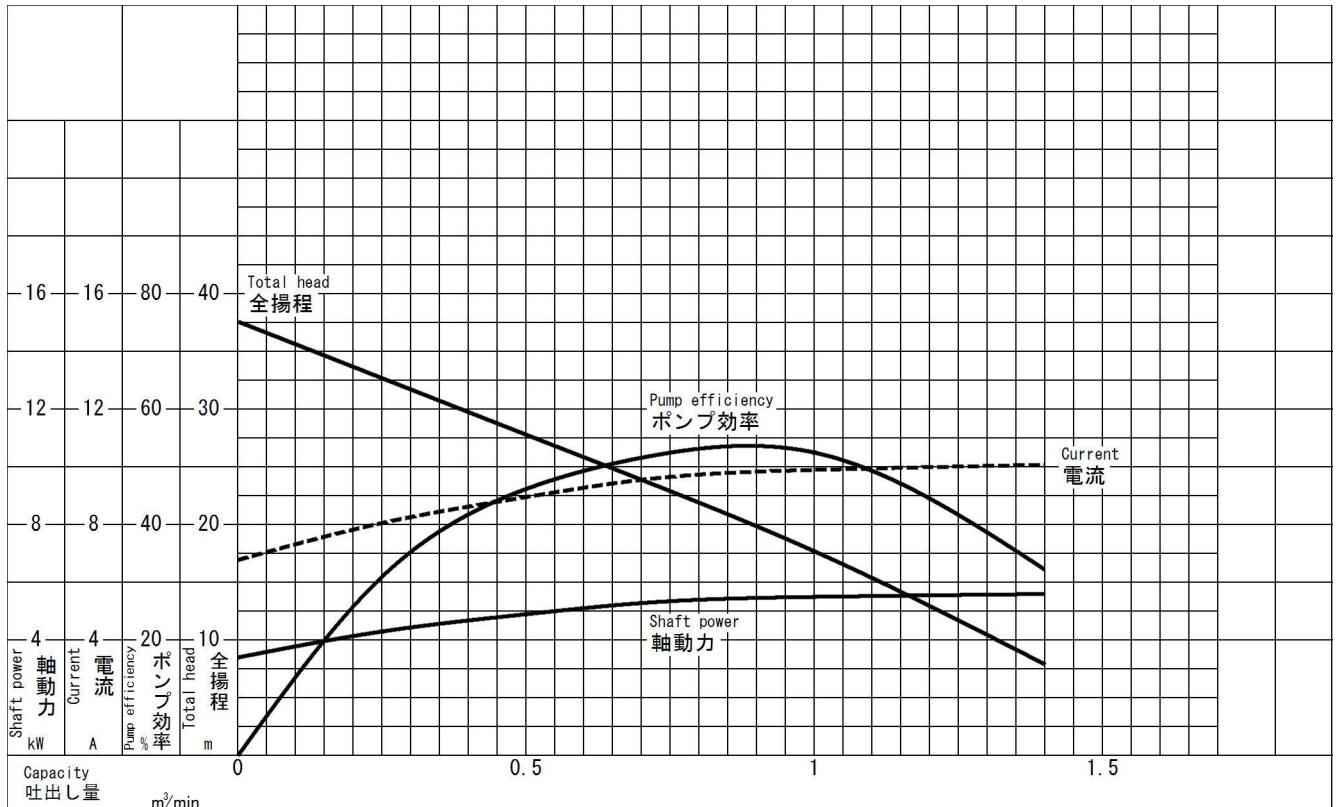
ポンプ標準試験成績表

Note
備考:

Model
形式: ZU4-805-5.5T4

| | | | | | | | | |
|----------------------|-----------------|---------------------|--------------|-------------------|---------------|-----------------------------|-------------|---------------------------|
| Rating 規定要目 | Bore 口径 | Capacity 吐出し量 | | Total head 全揚程 | | Synchronous speed 同期回転速度 | | Motor output 電動機出力 |
| | 80 mm | m ³ /min | | m | | 3000 min ⁻¹ | | 5.5 kW |
| Motor 試験電動機 要目 | Model 形式 | | Output 出力 | Frequency 周波数 | Voltage 電圧 | Current 電流 | Poles 極数 | Revolution 回転速度 |
| | MUCC1-2W5.5T4-B | | 5.5 kW | 50 Hz | 400 V | 11 A | 2 極 | 2910 min ⁻¹ |

| Item 計測項目 | | 1 | 2 | 3 | 4 | 5 | 6 | |
|--------------------------|---------------------|------|-------|-------|-------|-------|-------|-------|
| Capacity 吐出し量 | m ³ /min | 0 | 0.25 | 0.5 | 0.71 | 1 | 1.4 | |
| Total head 全揚程 | m | 37.6 | 32.7 | 27.8 | 23.7 | 17.7 | 7.9 | |
| Water H.P 理論動力 | kW | 0 | 1.333 | 2.266 | 2.743 | 2.885 | 1.803 | |
| Motor 電動機 | Voltage 電圧 | V | 400 | 400 | 400 | 400 | 400 | |
| | Current 電流 | A | 6.78 | 8.06 | 8.96 | 9.58 | 9.90 | 10.08 |
| | Input 入力 | kW | 3.8 | 4.79 | 5.46 | 5.92 | 6.15 | 6.27 |
| | Efficiency 効率 | % | 89.6 | 89.8 | 89.6 | 89.5 | 89.4 | 89.3 |
| Shaft power 軸動力 | kW | 3.4 | 4.3 | 4.9 | 5.3 | 5.5 | 5.6 | |
| Pump efficiency ポンプ効率 | % | 0 | 31 | 46.2 | 51.8 | 52.5 | 32.2 | |



KAWAMOTO PUMP MFG.CO.,LTD.

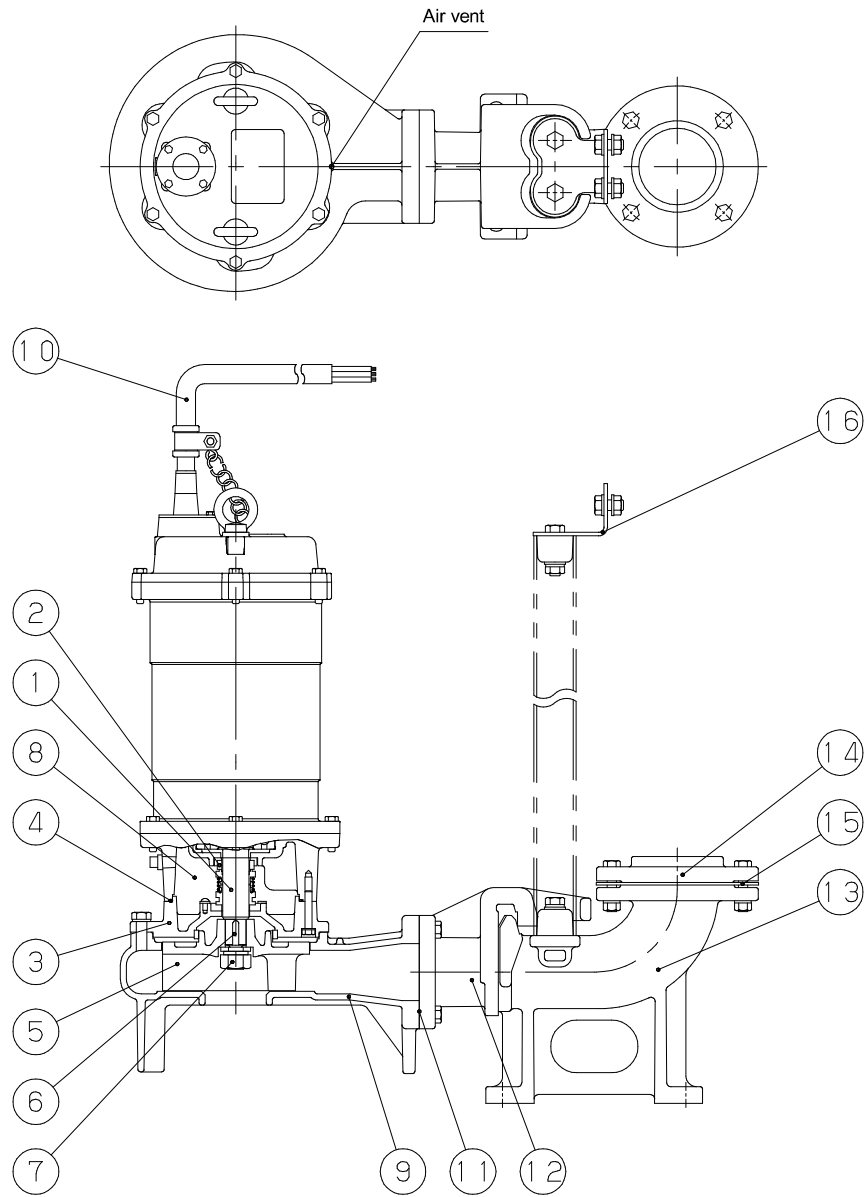
72ZA-171305 (10-0, 2)
U6666625000 (1-00-1-1)

株式会社 川本製作所



Sectional Drawing KAWAMOTO Model : ZU4

Type : Sewage Submersible Non-clogging Pump



| | 5.5kW | 7.5kW |
|---------------|----------|----------|
| Mech. seal | D-30 | D-30 |
| Lower bearing | 6308ZZCM | 6308ZZCM |
| Upper bearing | 6305ZZCM | 6305ZZCM |

| No | Name | Material | Remark | No | Name | Material | Remark |
|----|-----------------|--------------------------|--------|----|-----------------------|------------------------|--------|
| 1 | Shaft | Stainless Steel SUS420J2 | | 9 | Casing | Gray Iron Casting | |
| 2 | Mechanical Seal | D-30 | | 10 | Cable | VCT Sheath | |
| 3 | Casing Cover | Gray Iron Casting | | 11 | Square Flange Packing | Paper | |
| 4 | O-ring | NBR | | 12 | Guide Hook | Ductile Iron Casting | |
| 5 | Impeller | Gray Iron Casting | | 13 | Duck Foot Bend | Gray Iron Casting | |
| 6 | Key | Stainless Steel SUS403 | | 14 | Flange | Gray Iron Casting | |
| 7 | Nut | Stainless Steel SUS304 | | 15 | Flange Packing | NR | |
| 8 | Lubricant | Turbine Oil (ISO-VG32) | | 16 | Guide Support | Stainless Steel SUS304 | |

Note: This is the representative drawing. It may slightly differ from actual goods depending on the model.
IP68.